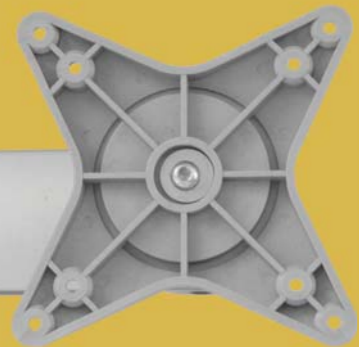


SmartArm is a flat panel monitor mounting system, featuring quick and easy monitor removal, fine height adjustment and complete flexibility.

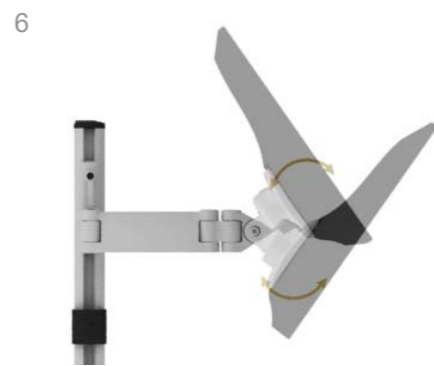
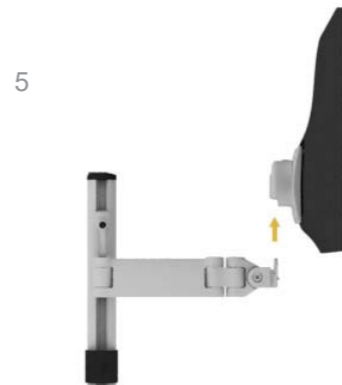
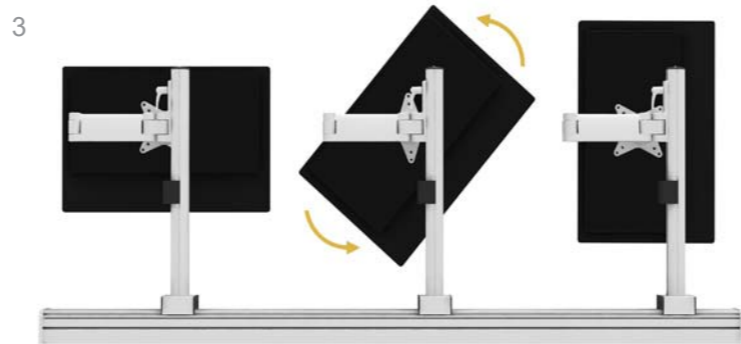
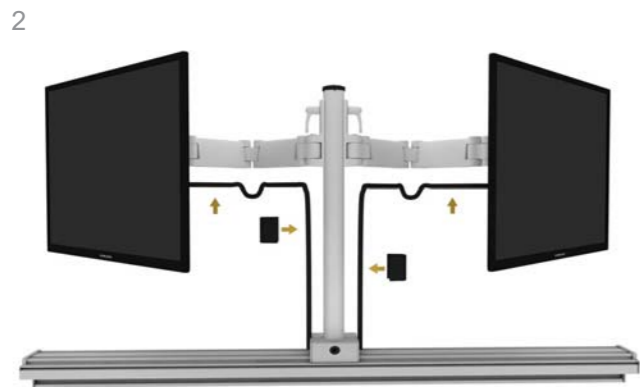
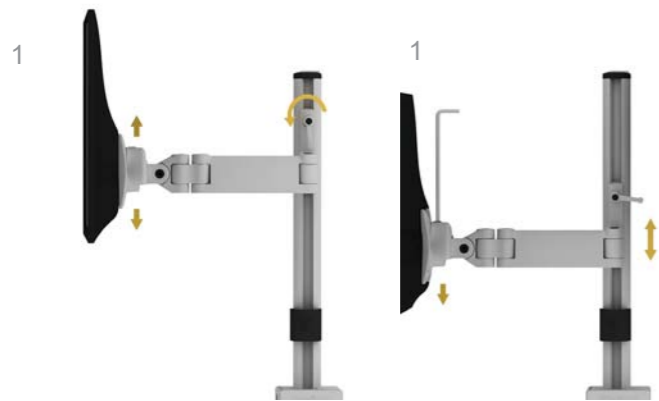
The system is designed to meet changing monitor specifications and configurations, in either landscape or portrait orientation. Extensions can be added with no disruption to existing monitors.

Whether you require a single monitor mount or a fully tiled double tier array, SmartArm delivers enhanced performance with fully integrated fitting options.



SmartArm





1 locking height slide bracket and fine height adjustment

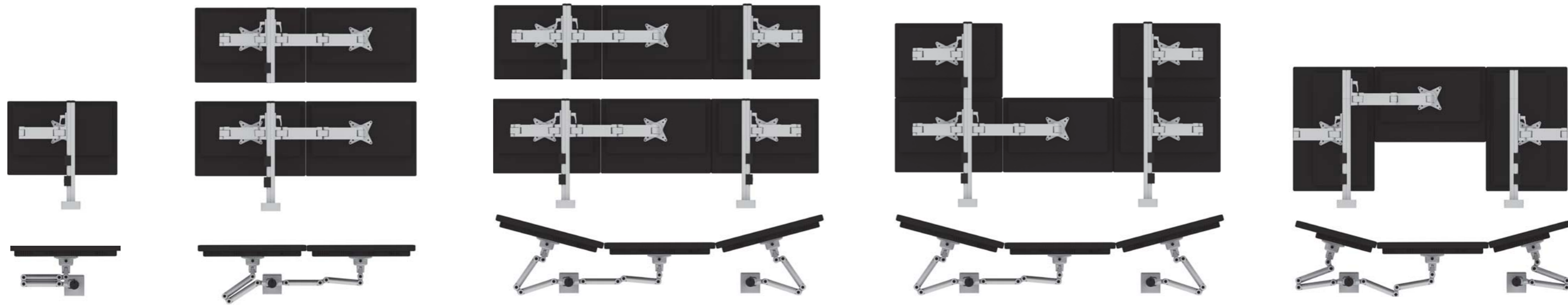
2 semi concealed cable management

3 90° monitor rotation, landscape or portrait

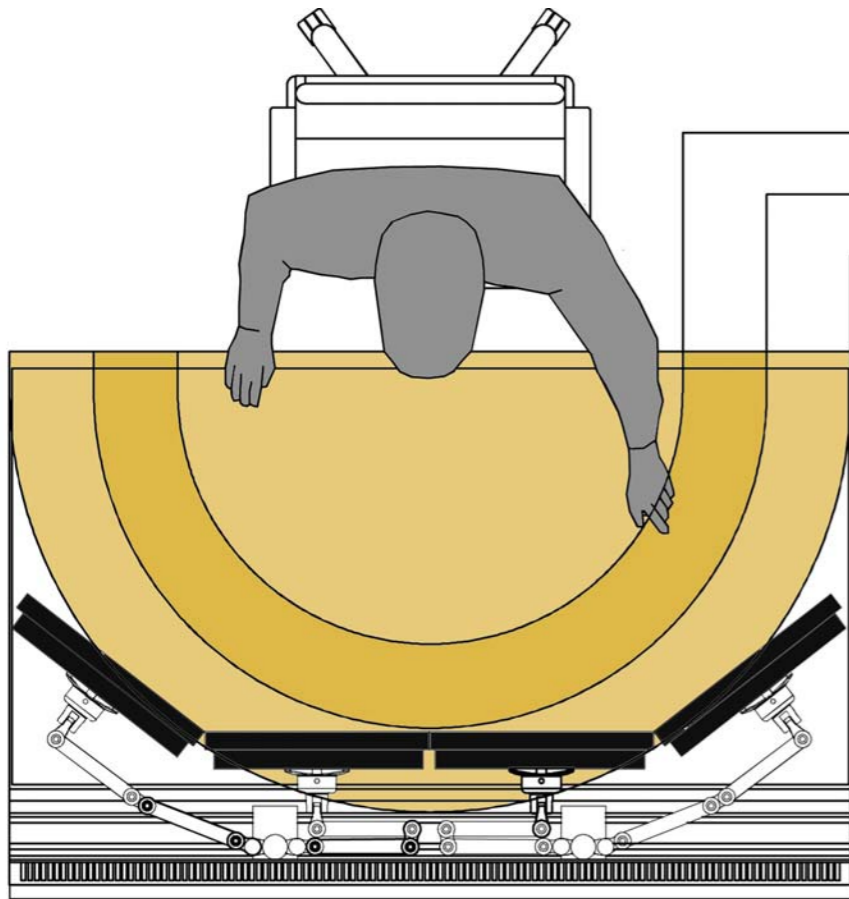
4 maximum adjustability

5 two-handed quick release snapping vesa hub for safe screen removal

6 screen tilt







R17.7" / 450mm minimum viewing distance

R23.6" / 600mm optimum viewing distance

R29.5" / 750mm maximum viewing distance

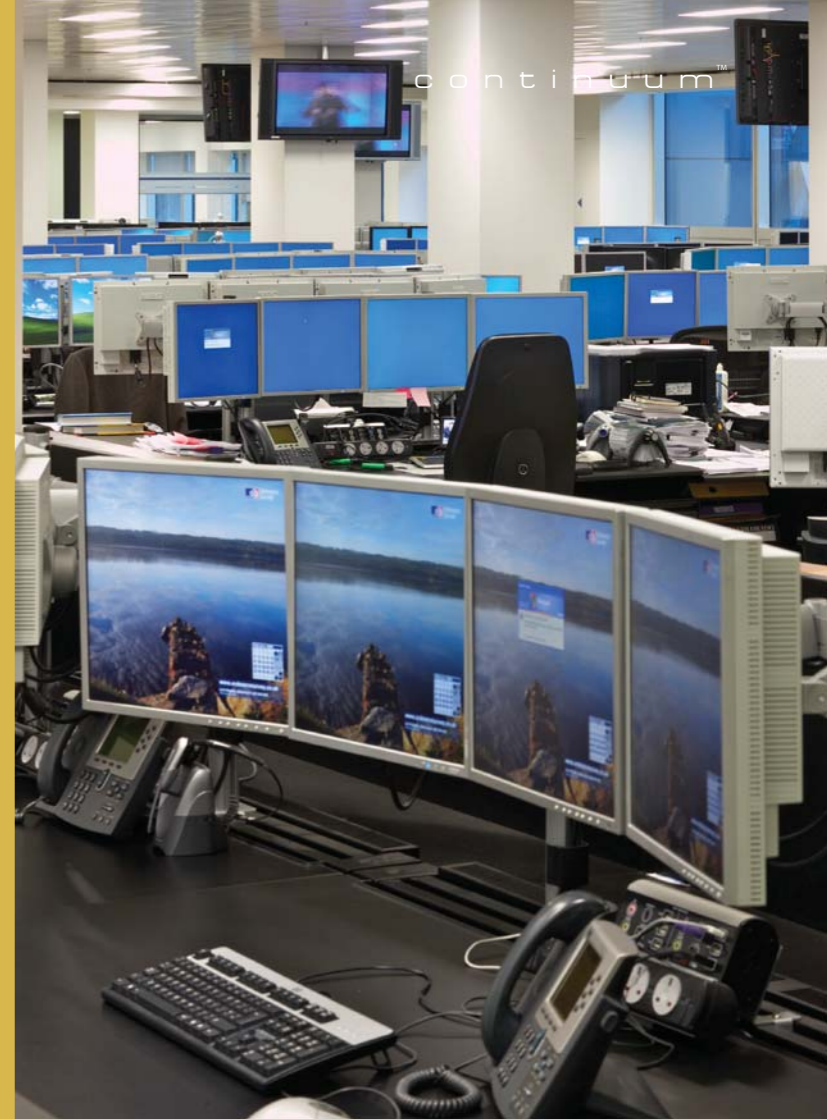
ergonomics

SmartArm meets the highest ergonomic standards.

SmartArm has been independently tested by the Furniture Industry Research Association (FIRA), having received the FIRA ergonomic excellence award and is compliant to BS EN ISO 9241, 1999.

The system is designed to meet changing monitor specifications and configurations, in either landscape or portrait orientation. Extensions can be added with no disruption to existing monitors.

Whether you require a single monitor mount or a fully tiled double tier array, SmartArm delivers enhanced performance with fully integrated fitting options.



c o n t i n u u m